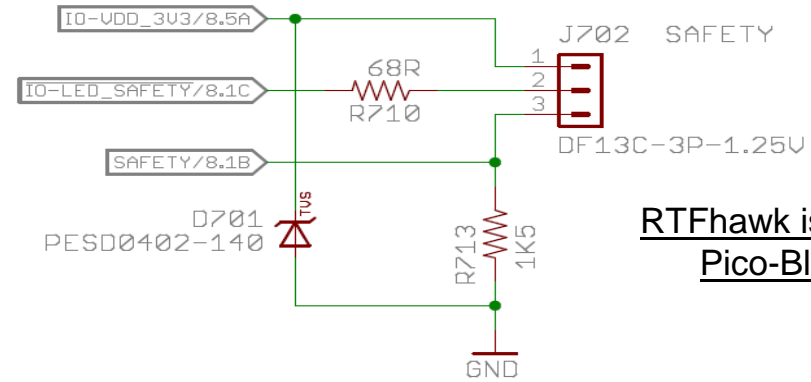


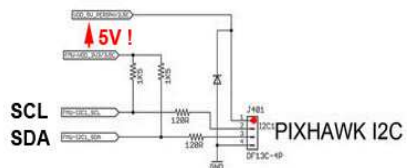
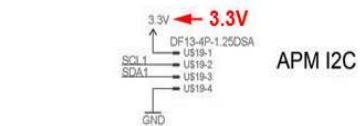
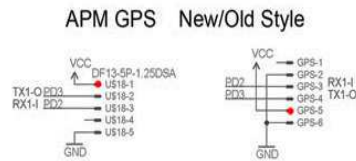
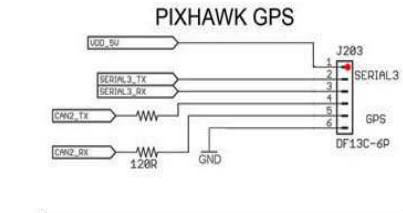
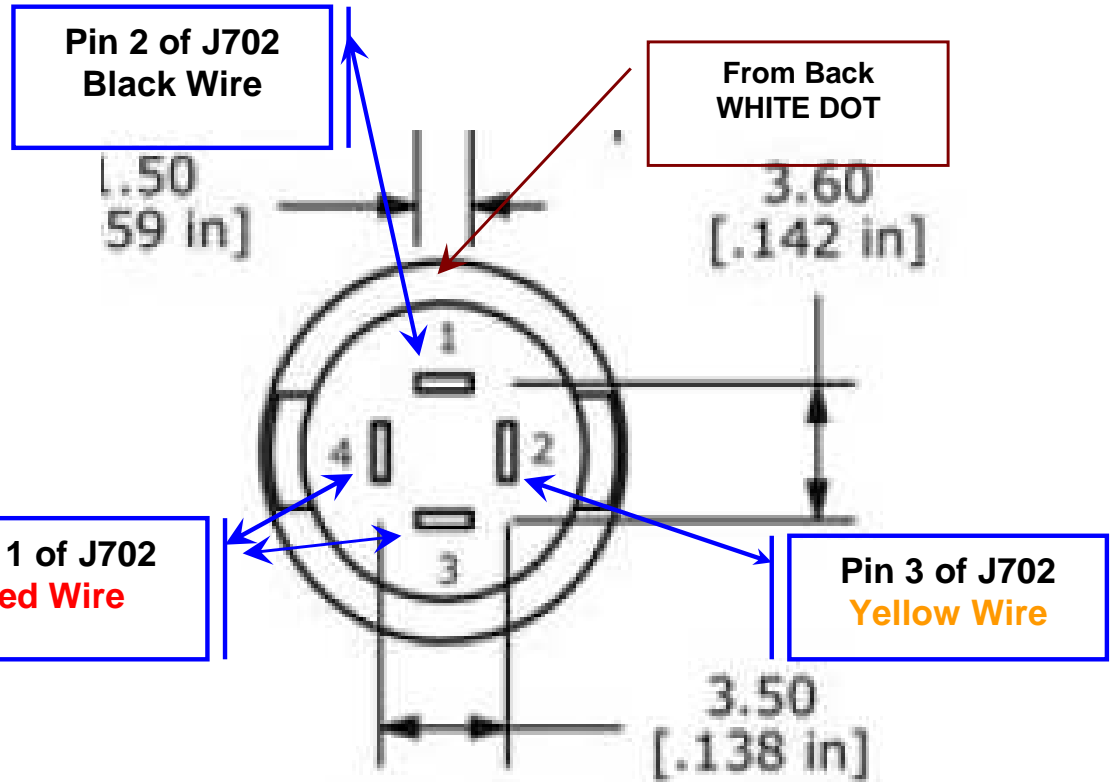
For all connectors pin 1 ● is on the left in the above image.: Serial 1 (Telem 1), Serial 2 (Telem 2) and Serial 3 (GPS) Pins: 6 = GND, 5 = RTS, 4 = CTS, 3 = RX, 2 = TX, 1 = 5V.

Switch: E-Switch LP10A1AR



RTFhawk is Molex Pico-Blade

E-Switch



RTFhawk Safety Switch Wiring Colors